

Octal E1 Short Haul Line Interface Unit Enhancement

CP5008\_PB\_Rev1.0, March,2005

**OVERVIEW**

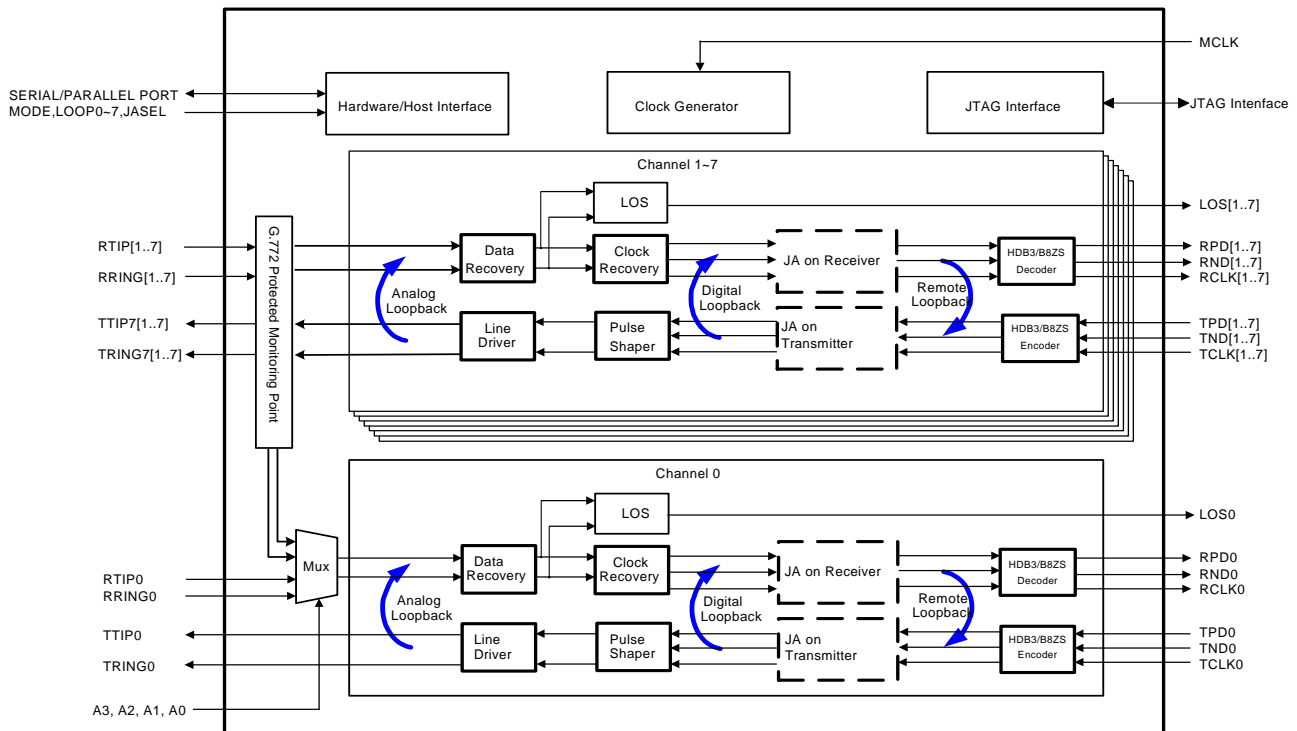
The CP5008 is an 8 Channel E1 LIU designed by Chiphomer Technology Limited. It is CH5008 enhancement version. It integrates 8 independent receivers and transmitters on a single chip. Together with CP5018, the CP5008 can provide interface function between E1 line and PCM Highway.



LQFP144  
-40 ~ 85°C

**FEATURES**

- Pin and Software compatible with CH5008
- Supports 75ohm E1 coaxial and 120ohm E1 twisted pair applications
- Programmable Waveform Shaper
- Line Coding Error Counting and Insertion
- Crystal-less jitter attenuator
  - Constant throughput delay
  - Complies with ITU G.736, G.742, G.823 and ETSI CTR12/13 specification
  - Optimized for SDH applications, complies with ITU G.783 mapping jitter specification
- LOS detector complies with ITU G.775, ETSI ETS 300 233
- Provides non-intrusive Protected Monitoring Points (PMP) per ITU G.772
- Transmit return loss exceeds ETSI ETS 300166
- AMI or HDB3 encoder/decoder
- Analog, digital, remote and Inband Loopback for testing purpose
- Hitless Protection Switching (HPS) for 1 to 1 protection without relays
- IEEE 1149.1 JTAG boundary scan
- Selectable parallel/serial host interface



**Octal E1 Short Haul Line Interface Unit Enhancement**

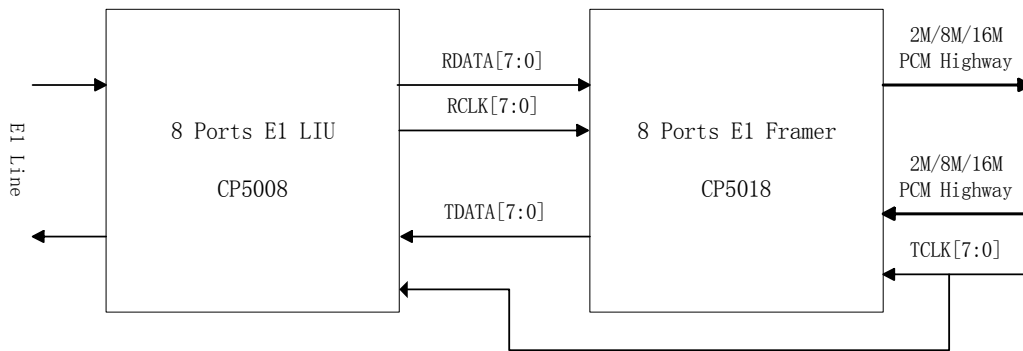
CP5008\_PB\_Rev1.0, March,2005

- Hardware and software control modes
- 3.3V supply with 5V tolerant I/O
- Ultra low power consumption, 120mw per channel (typ.)
- Operating industrial temperature range: -40°C ~ 85°C
- LQFP144 package

**APPLICATIONS**

- SDH tributary interfaces
- SONET/SDH multiplexers
- Digital access cross connection
- Microwave transmission systems
- PBX interfaces

**TYPICAL APPLICATION**



**RELATED PRODUCTS**

- CH5008: 8ch E1 LIU
- CP5009: 8ch E1/T1/J1 LIU
- CP5018: 8ch E1 Framer