

Step-Up White-LED Driver with Built-in Over-voltage Protection

General Description

The CP2125 is a step-up DC/DC converter specifically designed for driving white LEDs with a constant current. The device can drive up to 5 white LEDs from a 3.0V power supply. PWM dimming control is supported to adjust the brightness of white LEDs. The CP2125 switch at 1.1 MHz, allowing the use of tiny components. 105mV/200mV feedback voltage minimizes the power loss in the current setting resistor for better efficiency. The CP2125 is equipped with built-in over-voltage protection function, the SW pin monitors the output voltage and will turn off the device if an over-voltage condition is present to prevent damage from an open circuit condition. The CP2125 is available in SOT23-5L package.



SOT23-5L

-40°C~85°C

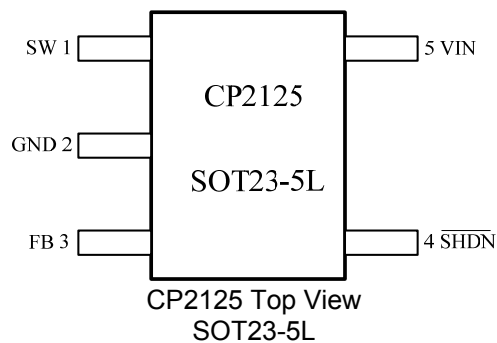
Features

- Inherently matched LED current
- High efficiency: 84%(typical)
- Drives up to 5 LEDs from a 3.0V power supply
- Built-in over-voltage protection
- Fast 1.1 MHz switching frequency
- Shutdown current: <math><1 \mu A</math>
- Low profile SOT23-5L package

Applications

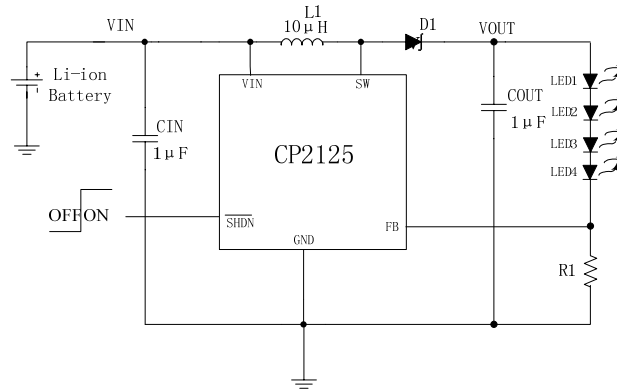
- Mobile phones
- Digital still cameras
- MP3 players
- PDAs
- GPS receivers

Pin Configurations



Step-Up White-LED Driver with Built-in Over-voltage Protection

Typical Application Circuit(s)



CP2125 Driving 4 LEDs

Contact with Chiphomer

4F, Building D, 1618 Yishan Road Shanghai, 201103, P.R.C.
 Tel: (86)21-64014543 64058488
 Fax: (86)21-64050030
 Sale: sales@chiphomer.com
 Technical support: support@chiphomer.com
 Web site: www.chiphomer.com

Shenzhen Office:
 10D, Building 2, Dushi Yangguang Garden CheGongMiao, Futian District, Shenzhen, 518048, P.R.C.
 Tel: (86)755-82046706 82047789
 Fax: (86)755-8204670