

Step-Up White-LED Driver

CP2126\_PB\_ENG\_Rev1.0 March,2004

**OVERVIEW**

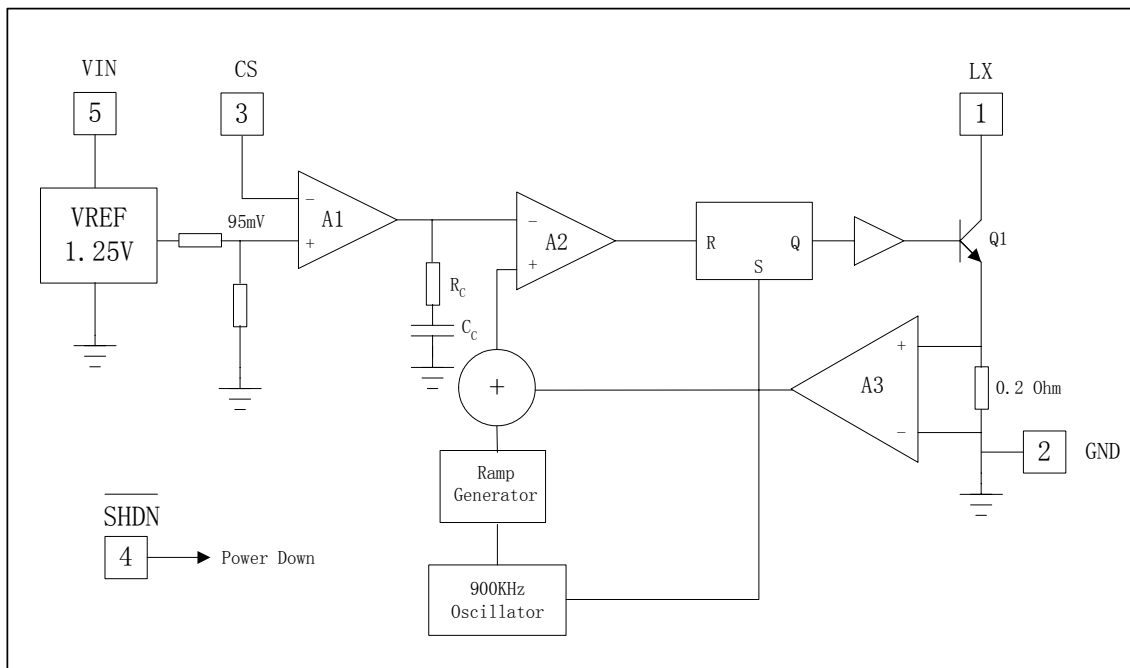
The CP2126 is a step-up DC/DC converter specifically designed to drive white LEDs with a constant current. The device can drive two, three or four white LEDs in series from a Li-Ion cell. Series connection of LEDs provides identical LED currents resulting in uniform brightness. The CP2126 switches at 900KHz, allowing the use of tiny components. The external capacitor can be as small as 0.22uF, saving space and cost versus alternative solutions. A low 95mV feedback voltage minimizes power loss in the current setting resistor for better efficiency.



SOT23-5L  
-40°C ~ 85°C

**FEATURES**

- Inherently matched LED current
- High efficiency: 85% typical
- Drives up to four LEDs from a 3.2V supply
- 20V stable bipolar switch
- Fast 900KHz switching frequency
- Uses tiny 1mm tall inductors
- Requires only 0.22uF output capacitor
- Operating Industrial temperature range: -40°C ~ 85°C
- SOT23-5L package

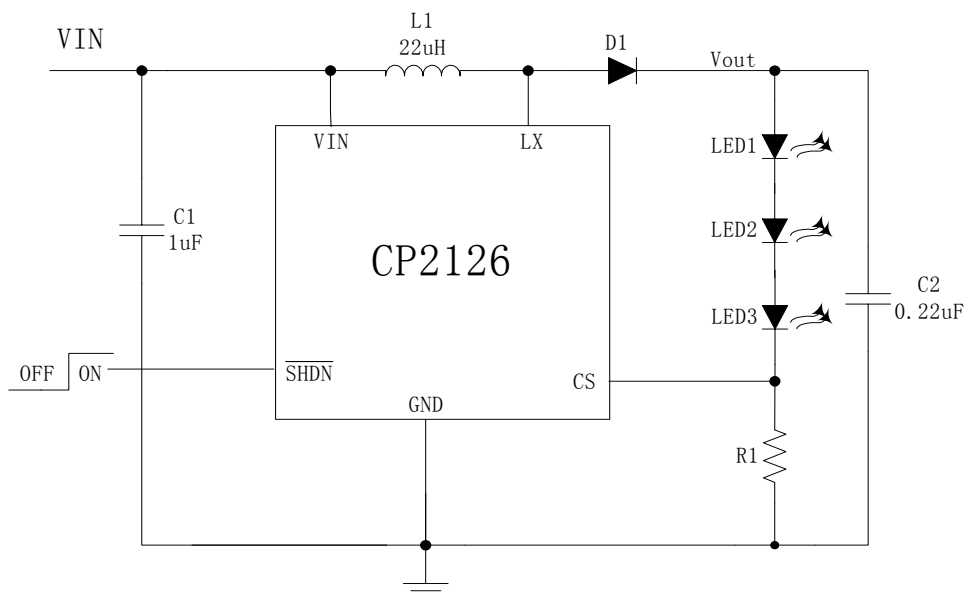


**Step-Up White-LED Driver**

CP2126\_PB\_ENG\_Rev1.0 March,2004

**APPLICATIONS**

- Cellular phones
- Digital Cameras
- MP3 Players
- PDAs、 Handheld computers
- GPS Receivers

**TYPICAL APPLICATION**

**RELATED PRODUCTS**

- CP2127: Step up White LED Driver, Switches at 1200kHz, can drive two to four LEDs in series.
- CP2128: Regulated Charge Pump DC/DC Converter with low noise, constant frequency.