

Regulated Charge Pump DC/DC Converters

CP2128\_PB\_ENG\_Rev1.0 March,2005

**OVERVIEW**

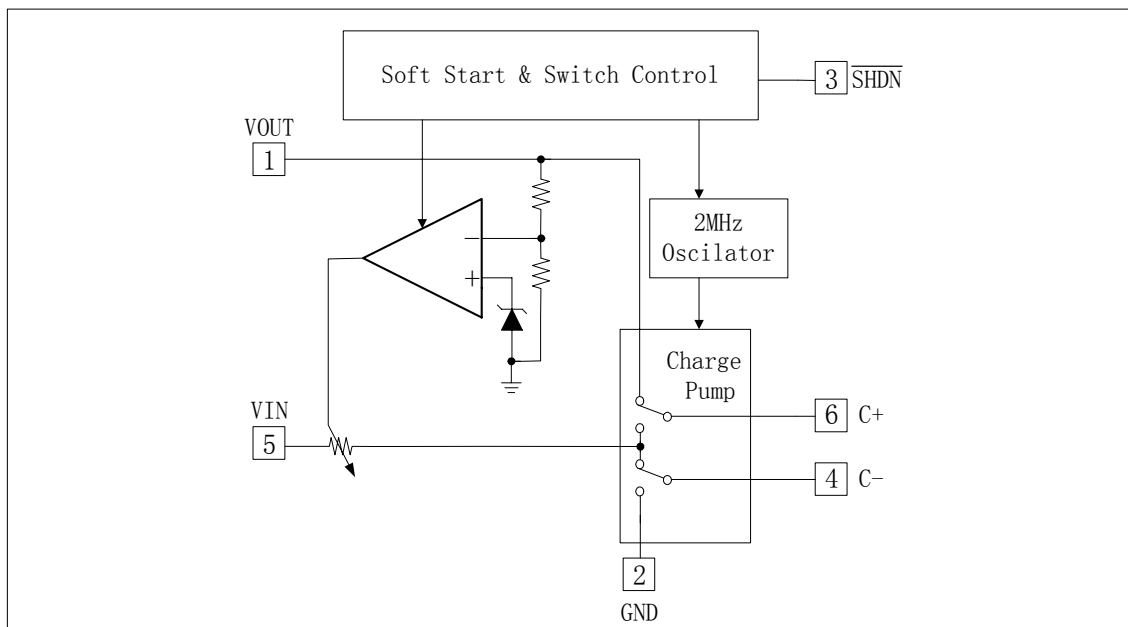
The CP2128 are low noise, constant frequency switched capacitor voltage doublers. They produce regulated output voltage from a 2.7V to 4.5V input with up to 100mA of output current. Low external parts count make the CP2128 ideally suited for small, battery-powered application. A new charge-pump architecture maintains constant switching frequency to zero load and reduces both output and input ripple. The CP2128 have thermal shutdown capability and can survive a continuous short circuit from Vout to GND. High switching frequency enables the use of small ceramic capacitors.



SOT23-6L  
-40°C ~ 85°C

**FEATURES**

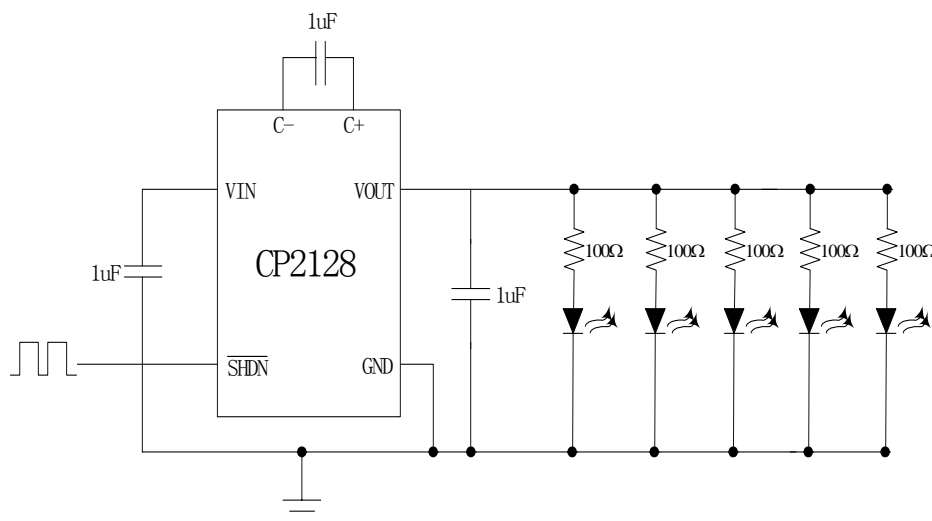
- Low Noise Constant Frequency Operation
- Output Current:100mA
- 2MHz Switching Frequency
- Fixed 5V ± 4% Output
- Vin Range: 2.7V to 4.5V
- Automatic soft-Start Reduces Inrush Current
- No Inductors
- Icc<1uA in Shutdown



## APPLICATIONS

- Cellular phones
- Digital Cameras
- MP3 Players
- PDAs, Handheld computers
- GPS Receivers

## TYPICAL APPLICATION



## RELATED PRODUCTS

- CP2126: Step up White LED Driver, Switches at 900kHz, can drive two to four LEDs in series.
- CP2127: Step up White LED Driver, Switches at 1200kHz, can drive two to four LEDs in series.