

### 1.25W, Mono, Audio Power Amplifier

#### General Description

The CP2290 is an audio power amplifier designed for demanding audio applications. It is capable of delivering 1.25 watt of continuous average power to an 8Ω BTL load with less than 1% distortion (THD+N) from a 5V battery voltage. It operates from 2.2V to 5.5V.

Features like excellent RF-rectification immunity, the space-saving CSP9 and MSOP8 packages, the advanced pop & click circuitry, a minimal count of external components and low-power shutdown mode make the CP2290 ideal for wireless handsets.

The CP2290 is unity-gain stable, and the gain can be configured by external resistors.



CSP9 Package  
1.5mm x 1.5mm  
-40°C ~ 85°C



MSOP8 Package  
-40°C ~ 85°C

#### Features

- 2.2V - 5.5V operation
- Power output at 5.0V & 1% THD 1.25W (typ)
- Power output at 3.6V & 1% THD 0.6W (typ)
- Ultra low shutdown current 0.01μA (typ)
- Improved pop & click circuitry eliminates noises during turn-on and turn-off transitions
- Thermal overload protection circuitry
- No output coupling capacitors, bootstrap capacitors required
- Unity-gain stable
- External gain configuration capability
- Available in space-saving packages: CSP9 and MSOP8
- RoHS compliant and 100% lead(Pb)-free

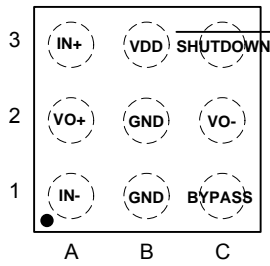
#### Applications

- Wireless handsets
- Portable audio devices
- PDAs
- Notebook computers

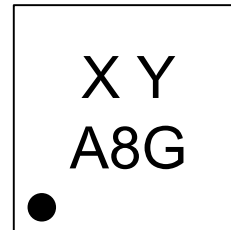
### 1.25W, Mono, Audio Power Amplifier

#### Pin Configurations

**CSP9 Package  
(Top View)**

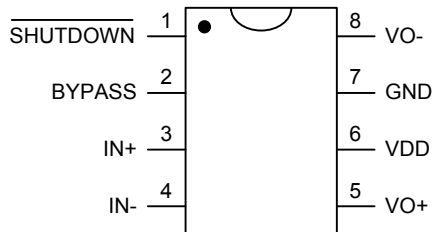


**CSP9 Marking**

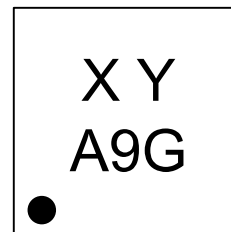


XY -Manufacture Date Code  
A8G - CP2290GITLX

**MSOP8 Package  
(Top View)**



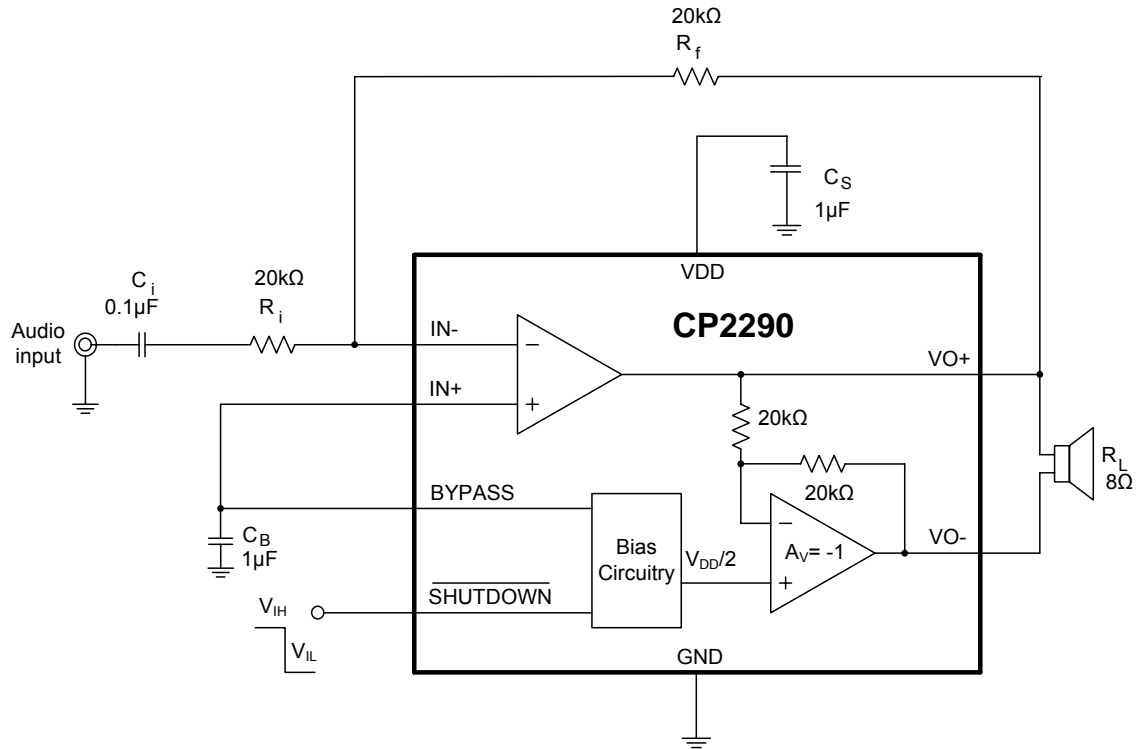
**MSOP8 Marking**



XY -Manufacture Date Code  
A9G - CP2290GMM

### 1.25W, Mono, Audio Power Amplifier

#### Typical Application



#### Contact with Chiphomer

4F, Building D, 1618 Yishan Road Shanghai, 201103, P.R.C.  
 Tel: (86)21-64014543 64058488  
 Fax: (86)21-64050030  
 Sale: sales@chiphomer.com  
 Technical support: support@chiphomer.com  
 Web site: www.chiphomer.com

Shenzhen Office:  
 10D, Building 2, Dushi Yangguang Garden CheGongMiao, Futian District, Shenzhen, 518048, P.R.C.  
 Tel: (86)755-82046706 82047789  
 Fax: (86)755-8204670