

---

**Dual Channel 200mA Fast Transient Response Low Noise Linear Voltage Regulator**

---

**General Description**

The CP2308 is a high performance dual channel LDO for portable battery-powered systems. The excellent transient response performance, high PSRR characteristic and no bypass capacitor makes the CP2308 suitable for digital applications and occupies less PCB space. The CP2308 guarantees 200mA output current each channel and the typical dropout voltage is 150mV. Anti reverse current function can prevent reverse current in the situation that the output voltage is above the input voltage. The CP2308 has a fast turn-on time of 30 $\mu$ S and a fast turn-off time of 80 $\mu$ S typically. The quiescent current of the CP2308 is 60 $\mu$ A in working mode and the shutdown current of the CP2308 is less than 0.01 $\mu$ A.



Package Outline

SOT23-6L

-40 $^{\circ}$ C~85 $^{\circ}$ C**Features**

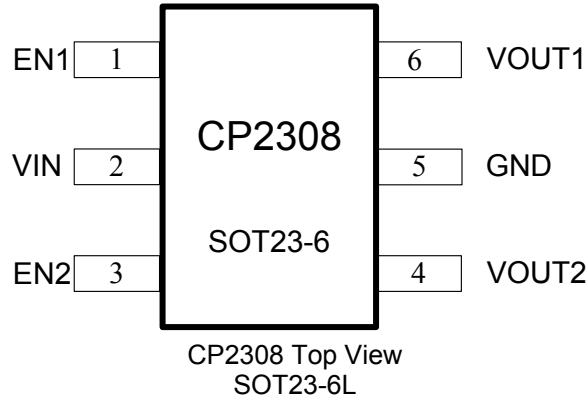
- Low dropout voltage at 200mA load current: 150mV
- High output voltage accuracy:  $\pm$ 1.5%
- High power supply rejection ratio: 70dB@1kHz
- Low output noise: 150 $\mu$ Vrms
- Low quiescent current: 60 $\mu$ A (one channel 40 $\mu$ A)
- Stable with 0.47 $\mu$ F ceramic capacitor
- Fast turn on: 30 $\mu$ s; Fast turn off: 80 $\mu$ s
- Over-current and over-temperature protection
- Input voltage range: 1.8V~5.5V
- Output voltage range: 1.2V~3.3V
- Shutdown current less than 0.01 $\mu$ A
- SOT23-6L package

**Applications**

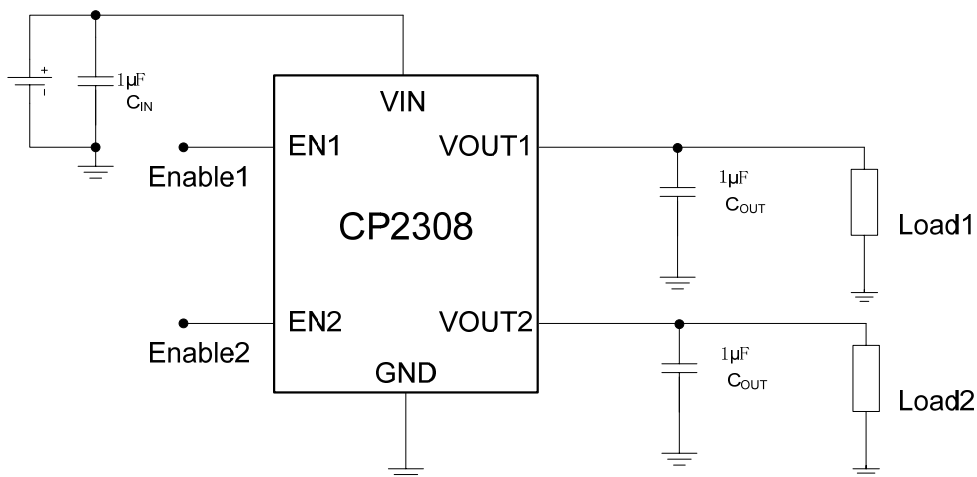
- Cellular/GSM/PHS phones
- Digital cameras
- PDAs, MP3 players
- Portable computers
- Portable, battery powered equipments

### Dual Channel 200mA Fast Transient Response Low Noise Linear Voltage Regulator

### Pin Configurations



### Typical Application Circuit



### Contact with Chiphomer

4F, Building D, 1618 Yishan Road Shanghai, 201103, P.R.C.  
 Tel: (86)21-64014543 64058488  
 Fax: (86)21-64050030  
 Sale: sales@chiphomer.com  
 Technical support: support@chiphomer.com  
 Web site: www.chiphomer.com

Shenzhen Office:  
 10D, Building 2, Dushi Yangguang Garden CheGongMiao, Futian District, Shenzhen, 518048, P.R.C.  
 Tel: (86)755-82046706 82047789  
 Fax: (86)755-8204670